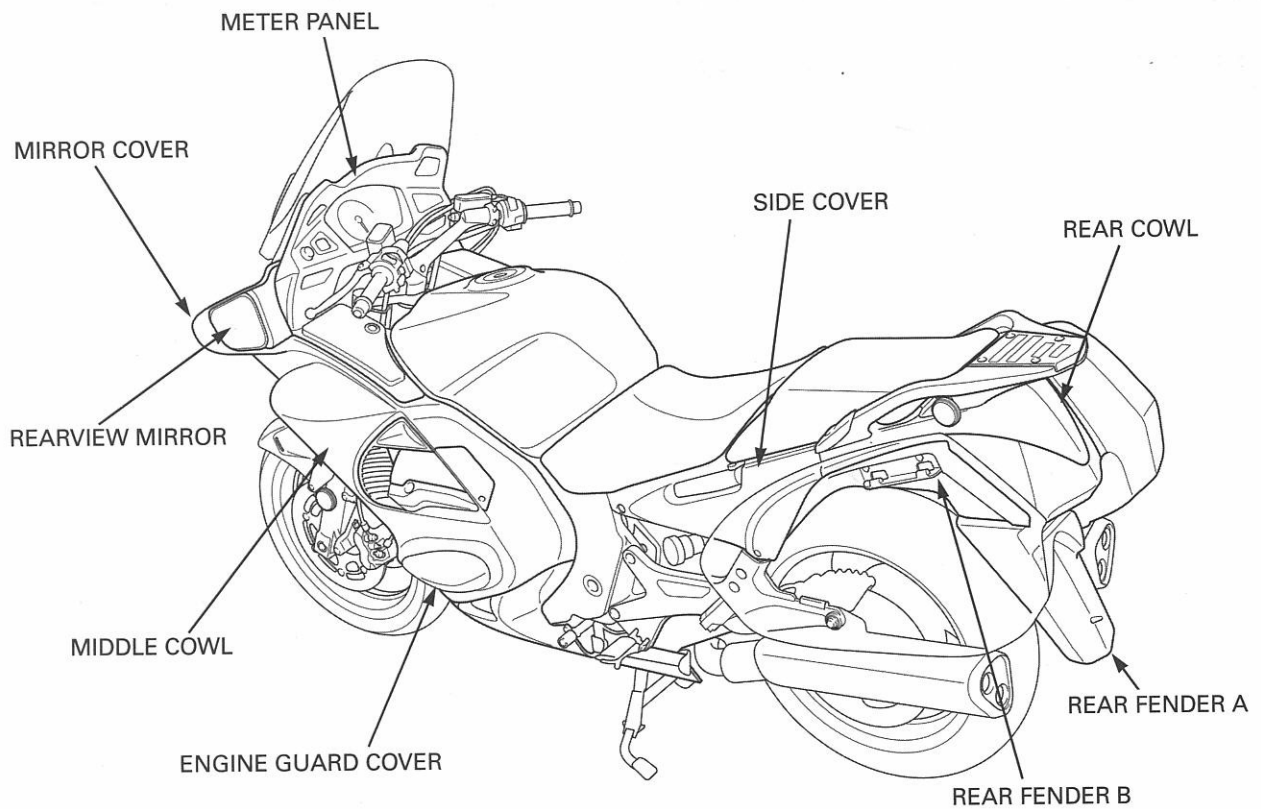
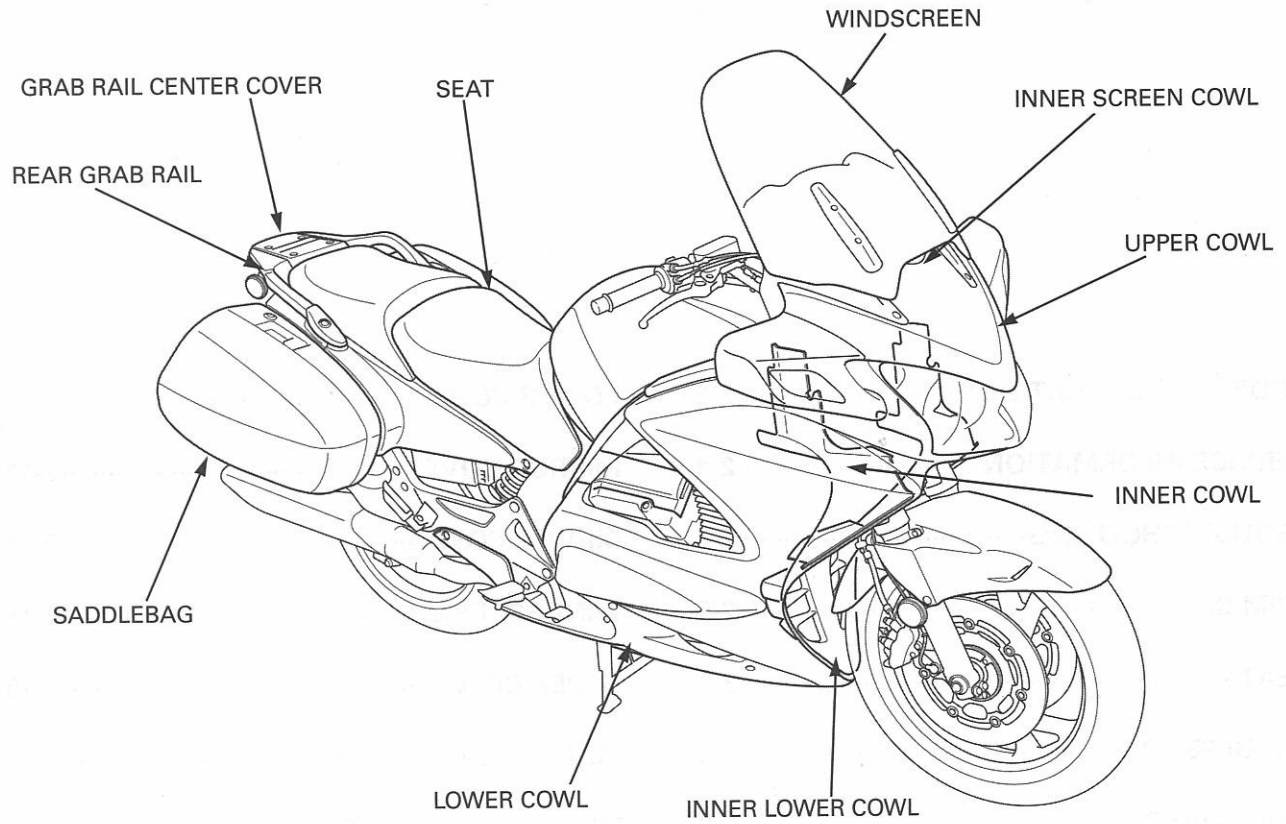


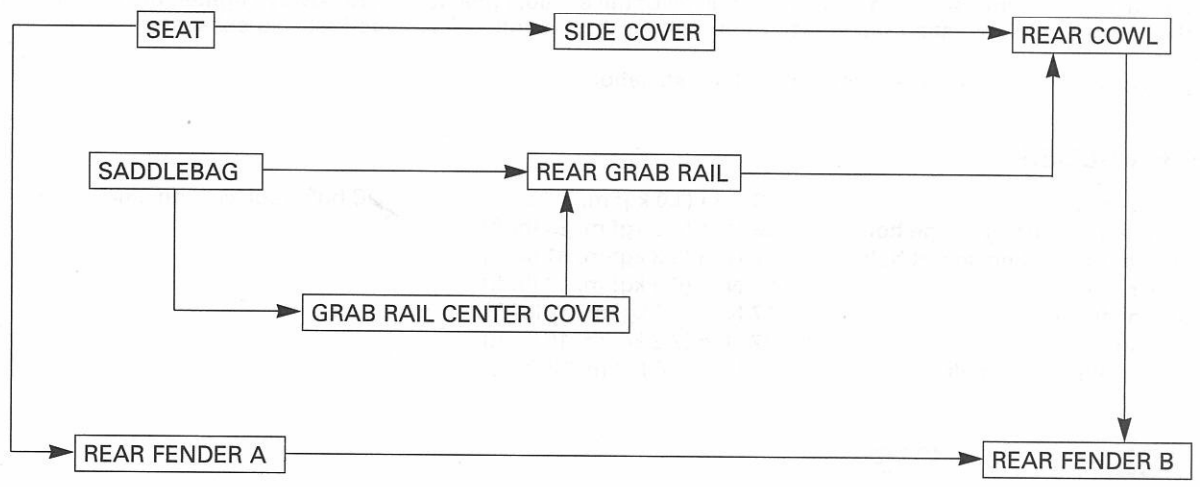
2. FRAME/BODY PANELS/EXHAUST SYSTEM

BODY PANEL LOCATIONS	2-2	LOWER COWL	2-9
SERVICE INFORMATION	2-4	MIRROR COVER	2-11
TROUBLESHOOTING	2-4	MIDDLE COWL	2-12
TRIM CLIPS	2-5	WINDSCREEN.....	2-14
SEAT.....	2-5	UPPER COWL	2-16
SADDLEBAG	2-6	METER PANEL.....	2-17
SIDE COVER.....	2-6	MUFFLER/EXHAUST PIPE.....	2-18
REAR COWL.....	2-7	SEAT RAIL.....	2-19
REAR FENDER	2-8		

BODY PANEL LOCATIONS

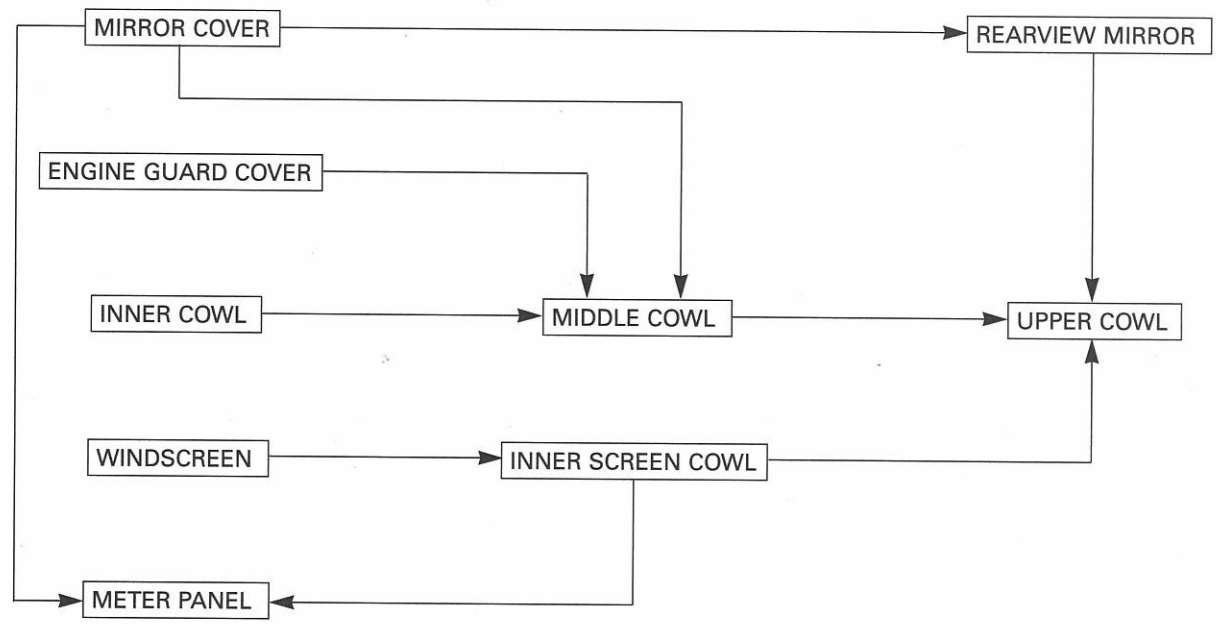


BODY PANEL REMOVAL CHART



INNER LOWER COWL

LOWER COWL



FRAME/BODY PANELS/EXHAUST SYSTEM

SERVICE INFORMATION

GENERAL

- This section covers removal and installation of the body panels and exhaust system.
- Serious burns may result if the exhaust system is not allowed to cool before components are removed or serviced.
- Always replace the exhaust pipe gaskets after removing the exhaust pipe from the engine.
- When installing the exhaust system, loosely install all of the exhaust pipe fasteners. Always tighten the exhaust clamps first, then tighten the mounting fasteners. If you tighten the mounting fasteners first, the exhaust pipe may not seat properly.
- Always inspect the exhaust system for leaks after installation.

TORQUE VALUES

Middle cowl bolt	10 N·m (1.0 kgf·m, 7 lbf·ft)	ALOC bolt; replace with a new one
Seat rail upper mounting flange bolt	39 N·m (4.0 kgf·m, 29 lbf·ft)	
Seat rail lower mounting socket bolt	42 N·m (4.3 kgf·m, 31 lbf·ft)	
Step holder mounting bolt	64 N·m (6.5 kgf·m, 47 lbf·ft)	
Exhaust pipe flange nut	17 N·m (1.7 kgf·m, 12 lbf·ft)	
Muffler band bolt	22 N·m (2.2 kgf·m, 16 lbf·ft)	
Saddle bag holder pivot bolt	16 N·m (1.6 kgf·m, 12 lbf·ft)	

TROUBLESHOOTING

Excessive exhaust noise

- Broken exhaust system
- Exhaust gas leak

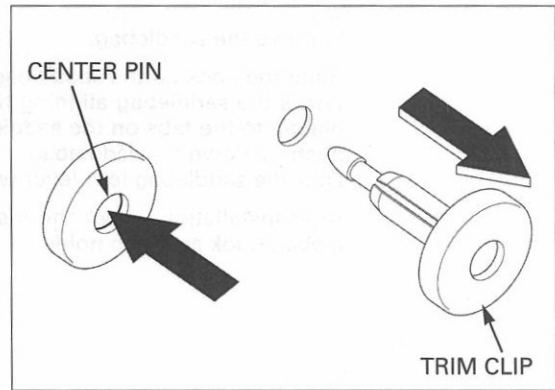
Poor performance

- Deformed exhaust system
- Exhaust gas leak
- Clogged muffler

TRIM CLIPS

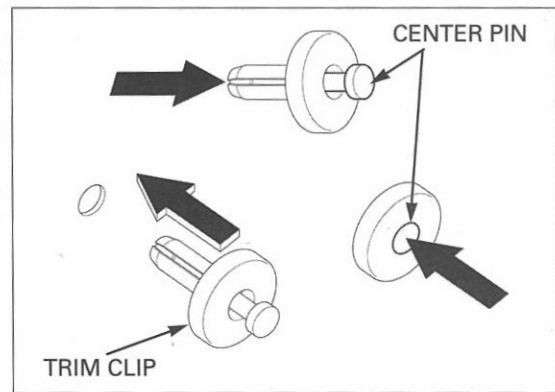
REMOVAL

Push the center of the trim clip pin.
Remove the trim clip.



INSTALLATION

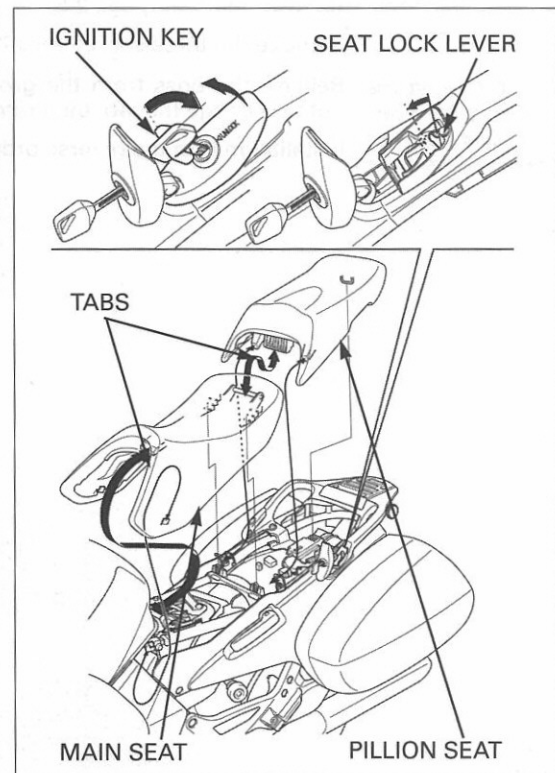
Raise the center pin by pushing the center pin back.
Install the trim clip.
Push the center pin until the pin is flush with the outer casing.



SEAT

Unlock the left saddlebag lock lever with the ignition key.
Release the pillion seat by pulling the seat lock lever.
Remove the main seat by pulling it rearward.

Install the main seat by aligning the front tab to the adjuster bar on the front cross plate.
Install the pillion seat by aligning the front tabs to the set pipe on the main seat.
Lock the pillion seat by pushing it down securely.



SADDLEBAG

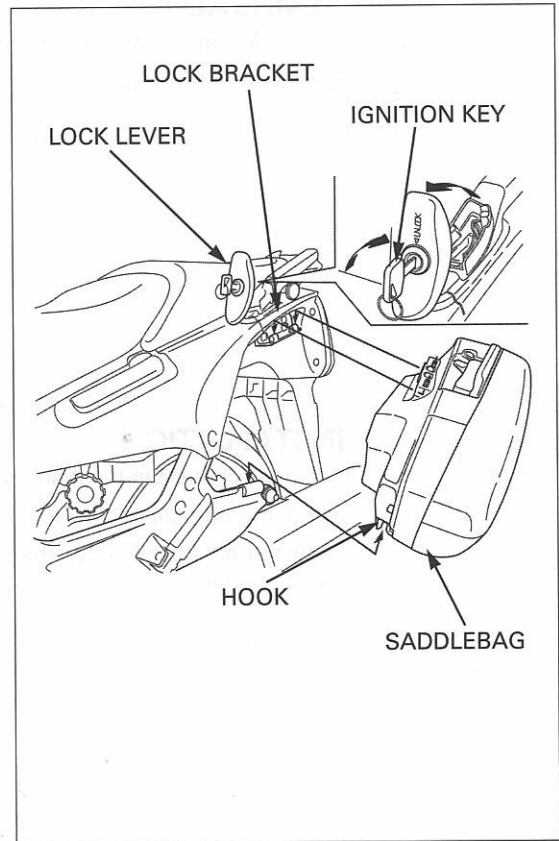
Unlock the saddlebag lock lever with the ignition key.

Remove the saddlebag.

Align the hook on the saddlebag to the step holder. Install the saddlebag aligning the holes on the saddlebag to the tabs on the saddlebag lock bracket by pushing down the saddlebag.

Lock the saddlebag lock lever with the ignition key.

After installation, check the installation of the saddlebag hook and step holder.



SIDE COVER

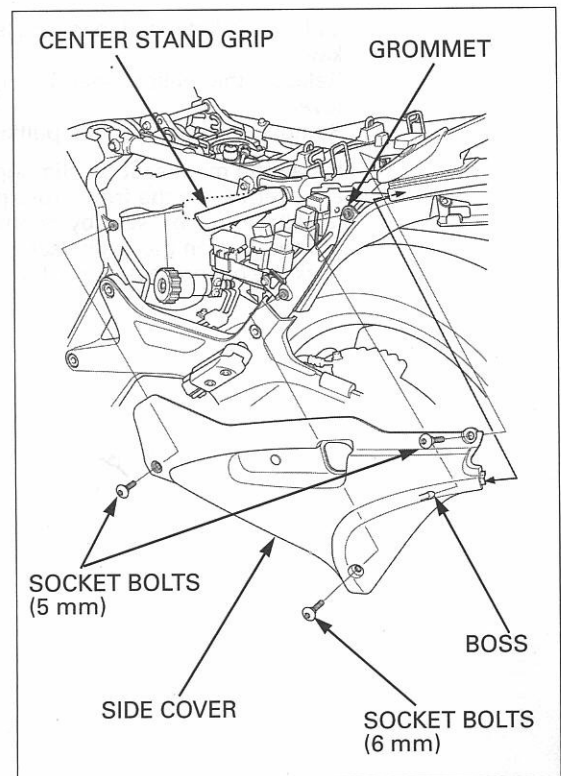
Remove the seat (page 2-5).

Remove the three socket bolts (5 mm and 6 mm).

On the left side cover, pull the center stand grip when removing the cover.

Release the boss from the grommet being careful not to damage the tab, then remove the side cover.

Installation is in the reverse order of removal.



REAR COWL

GRAB RAIL CENTER COVER

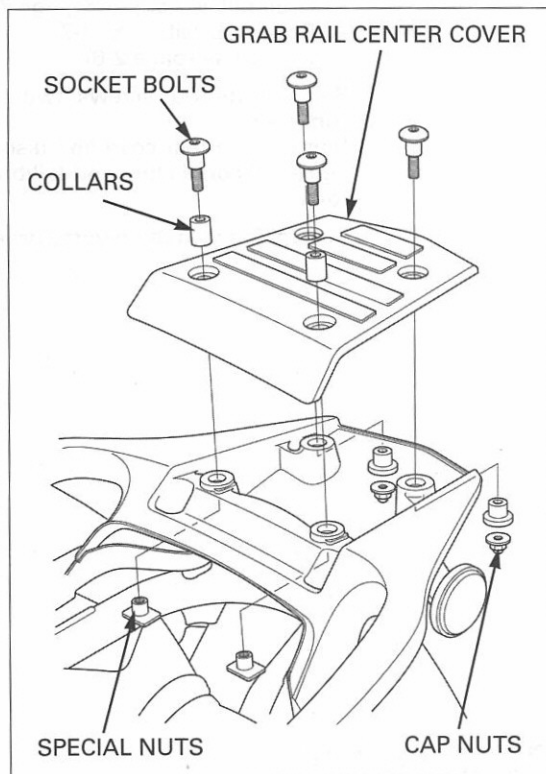
Remove the seat (page 2-5).

Remove the two socket bolts, collars and special nuts.

Remove the two cap nuts, collars and socket bolts.

Remove the grab rail center cover.

Installation is in the reverse order of removal.



REAR GRAB RAIL

Remove the seat (page 2-5).

Remove the grab rail center cover (page 2-7).

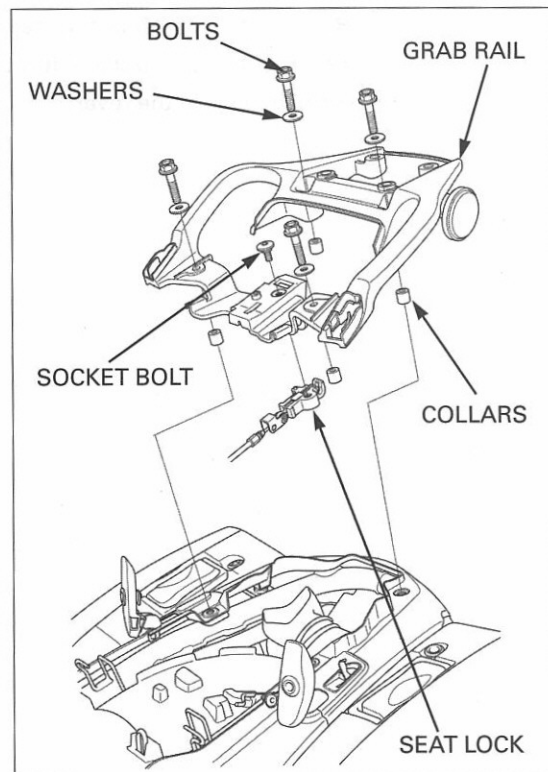
Remove the saddlebags (page 2-6).

Remove the socket bolt and the seat lock.

Remove the four bolts, washers and collars.

Release the seat lock cable from the groove and remove the rear grab rail.

Installation is in the reverse order of removal.



FRAME/BODY PANELS/EXHAUST SYSTEM

REAR COWL

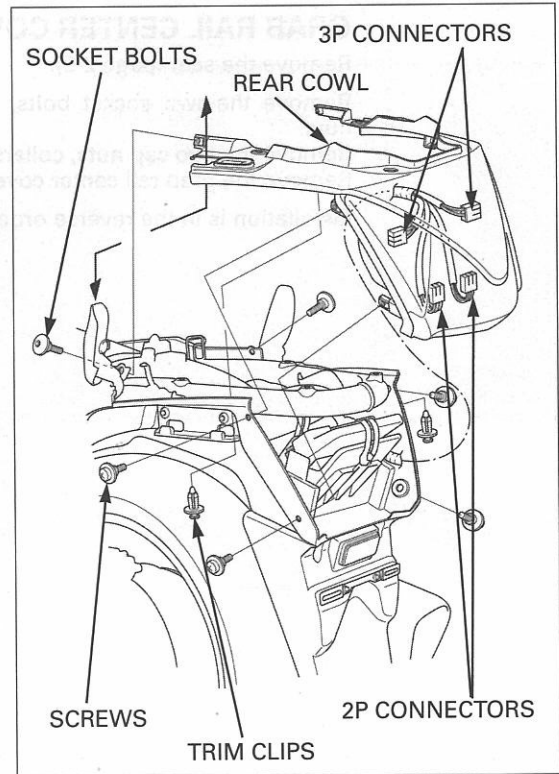
Remove the following:

- Grab rail center plate (page 2-7)
- Rear grab rail (page 2-7)
- Side cover (page 2-6)

Remove the four screws, two socket bolts and two trim clips.

Remove the rear cowl and disconnect the rear turn signal 2P connectors and tail/brake light 3P connectors.

Installation is in the reverse order of removal.



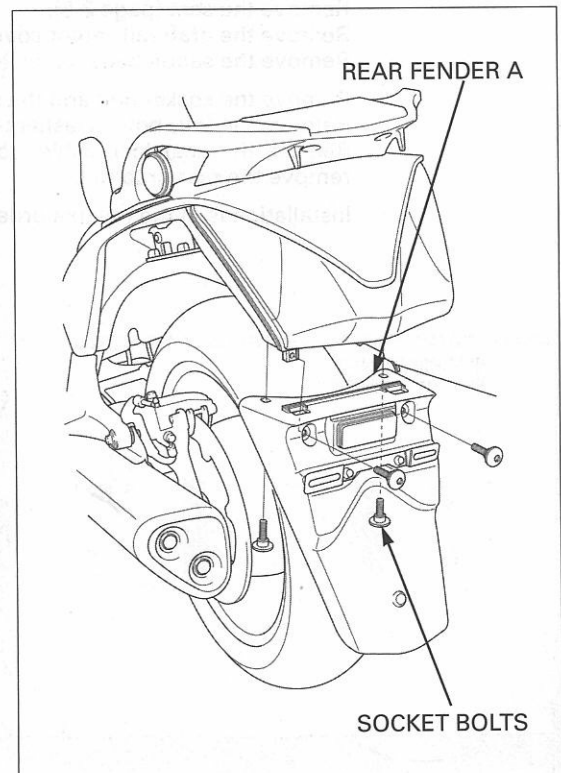
REAR FENDER

REAR FENDER A

Remove the saddlebags (page 2-6).

Remove the four socket bolts and rear fender A.

Installation is in the reverse order of removal.



REAR FENDER B

Remove the following:

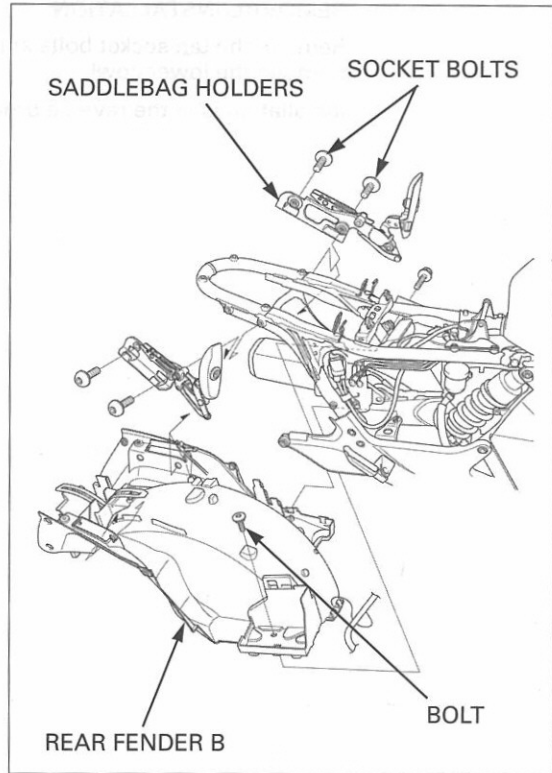
- Rear wheel (page 16-5)
- Battery (page 19-5)
- Rear fender A (page 2-8)
- Rear cowl (page 2-7)

Remove the relays from the tabs on the rear fender B.

Remove the socket bolts and saddlebag holders.

Remove the bolt and rear fender B.

Installation is in the reverse order of removal.



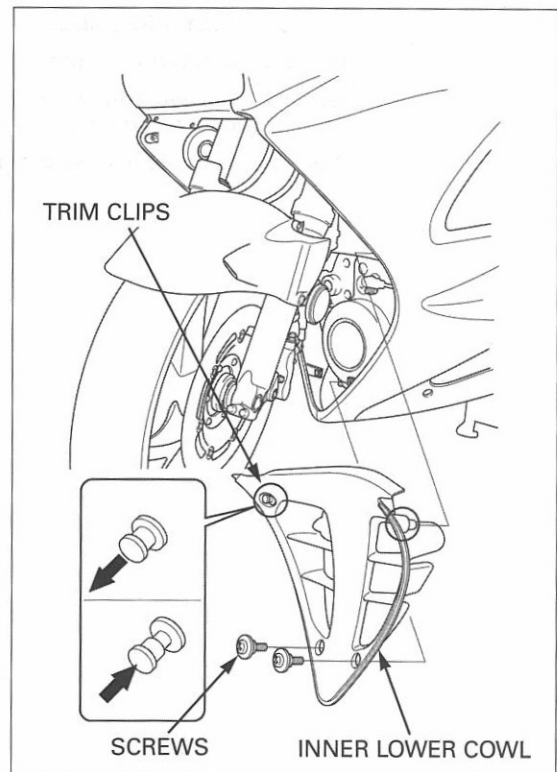
LOWER COWL

INNER LOWER COWL

Remove the two screws and two trim clips.

Remove the inner lower cowl.

Installation is in the reverse order of removal.



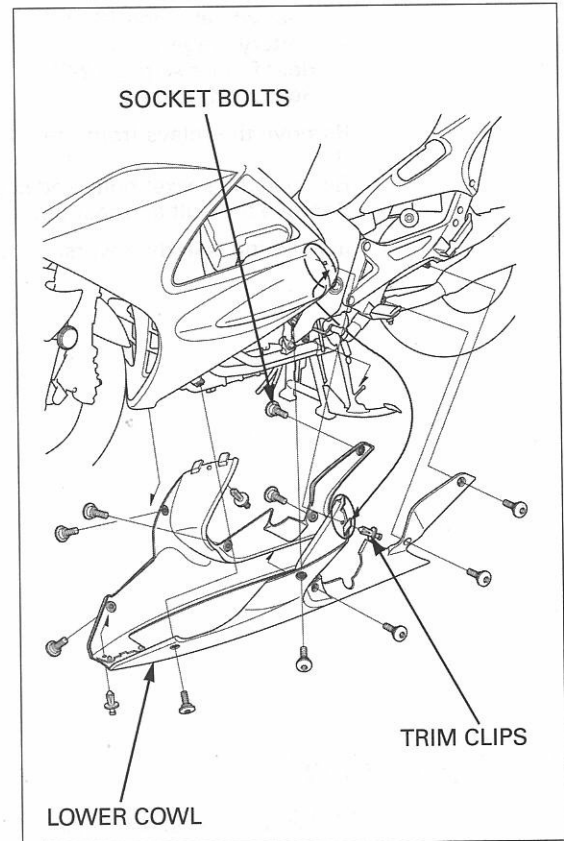
FRAME/BODY PANELS/EXHAUST SYSTEM

LOWER COWL

REMOVAL/INSTALLATION

Remove the ten socket bolts and three trim clips.
Remove the lower cowl.

Installation is in the reverse order of removal.

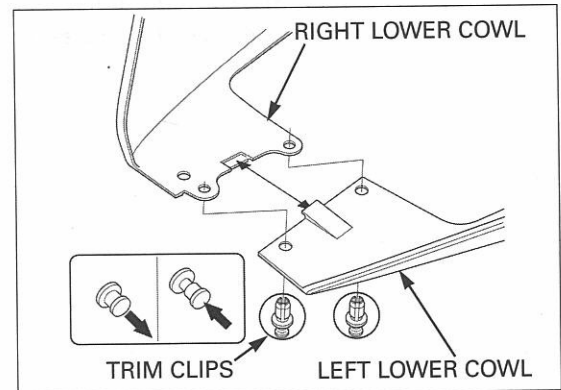


DISASSEMBLY/ASSEMBLY

Remove the lower cowl (page 2-10).

Remove the two trim clips and disassemble the right lower cowl and left lower cowl.

Assembly is in the reverse order of disassembly.



MIRROR COVER

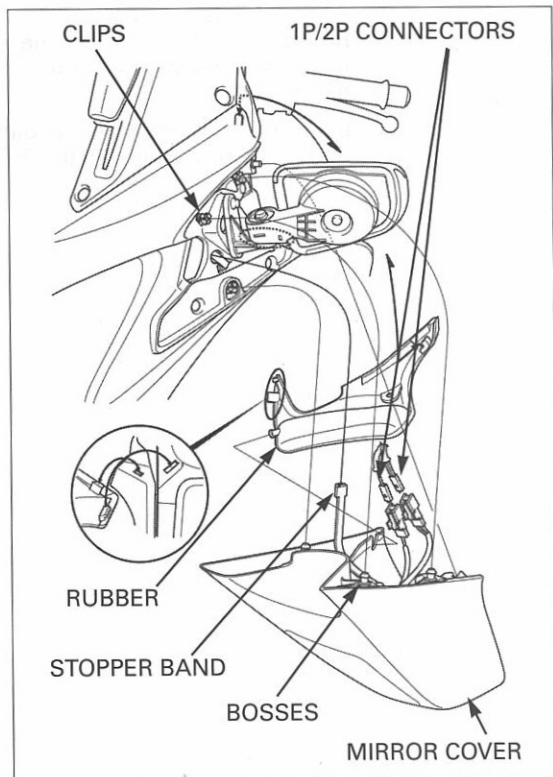
MIRROR COVER

Remove the mirror cover by carefully releasing the three bosses from the clips of the upper cowl. Disconnect the front turn signal 2P and 1P connectors.

Remove the stopper band from the groove on the upper cowl.

Remove tabs on the mirror cover rubber from the grooves on the upper cowl and meter panel.

Installation is in the reverse order of removal.

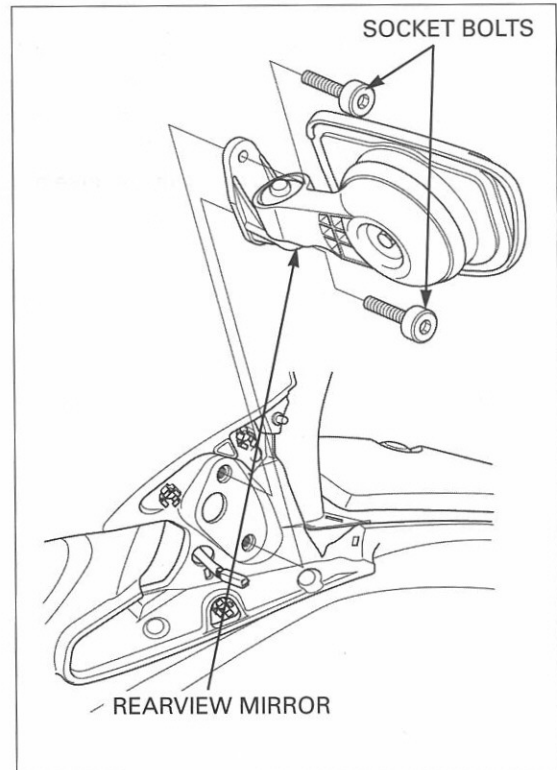


REARVIEW MIRROR

Remove the mirror cover (page 2-11).

Remove the socket bolts and rearview mirror.

Installation is in the reverse order of removal.



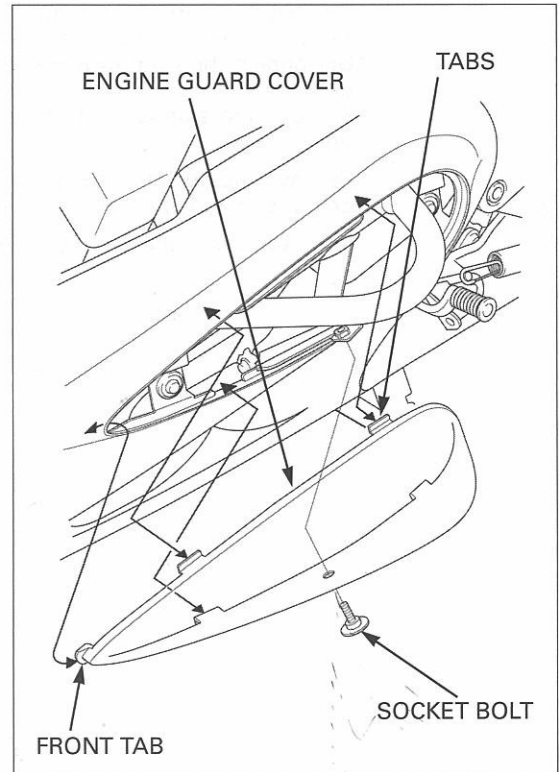
MIDDLE COWL

ENGINE GUARD COVER

Remove the socket bolt.

Release the five tabs on the engine guard cover from the grooves on the middle cowl and remove the engine guard cover.

Install the front tab on the engine guard cover to the middle cowl, then install the four tabs to the middle cowl.



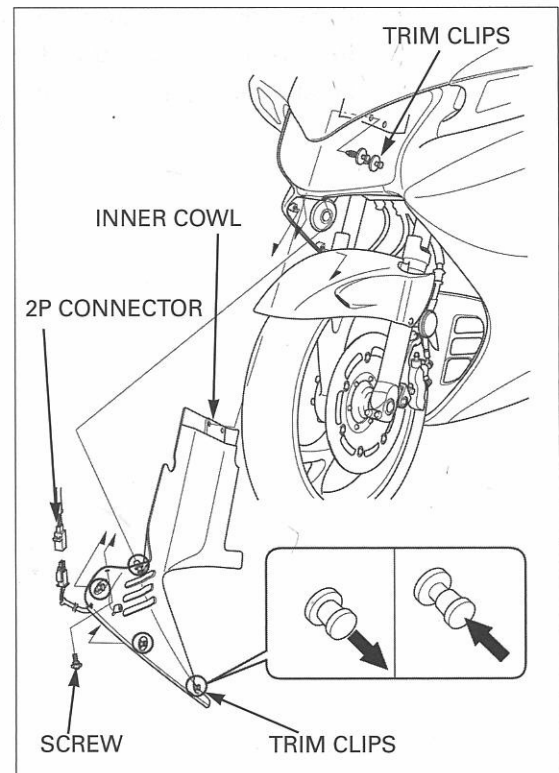
INNER COWL

Remove the two trim clips.

Remove the four trim clips and one screw.
Remove the inner cowl.

Right side only: Disconnect the open air temperature sensor 2P connector.

Installation is in the reverse order of removal.



MIDDLE COWL

REMOVAL/INSTALLATION

Remove the following:

- Remove the mirror cover (page 2-11)
- Remove the lower cowl (page 2-9)
- Remove the inner cowl (page 2-12)

Remove the two middle cowl bolts, collars and one socket bolt.

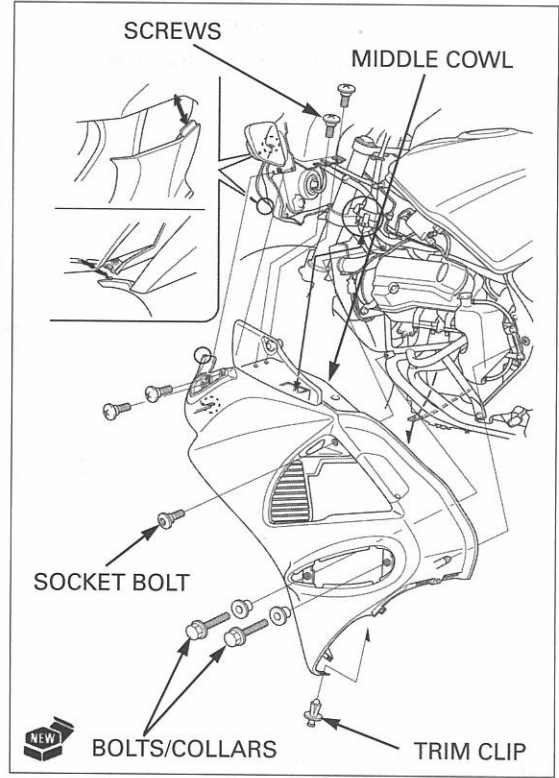
Remove the four screws, trim clip, then remove the middle cowl.

Left side only: Remove the sub-harness 24P (White) connector from the groove on the left cowl pocket.

Install the middle cowl aligning the tabs on the middle cowl with the grooves on the upper cowl and tab on the middle cowl with the grommet on the engine guard.

Installation is in the reverse order of removal. Install the new middle cowl bolts to the specified torque.

TORQUE: 10 N·m (1.0 kgf·m, 7 lbf·ft)

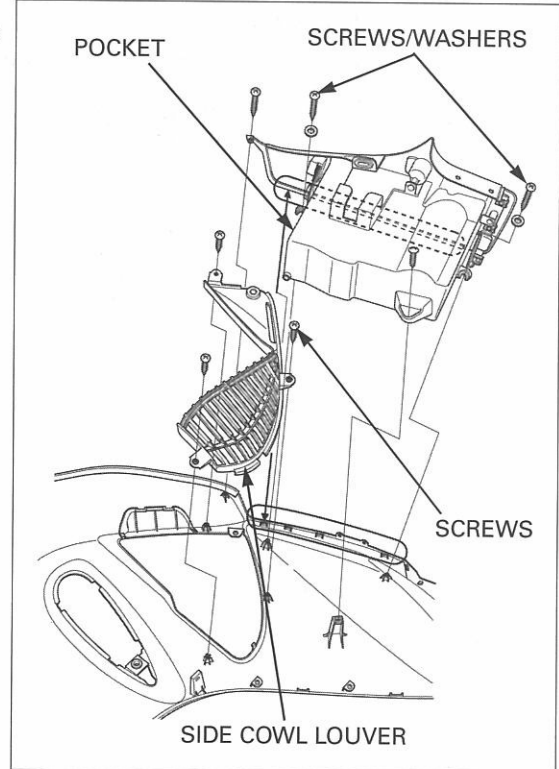


LEFT MIDDLE COWL DISASSEMBLY/ASSEMBLY

Remove the screws and washers.

Remove the pocket and side cowl louver from the left middle cowl.

Assembly is in the reverse order of disassembly.

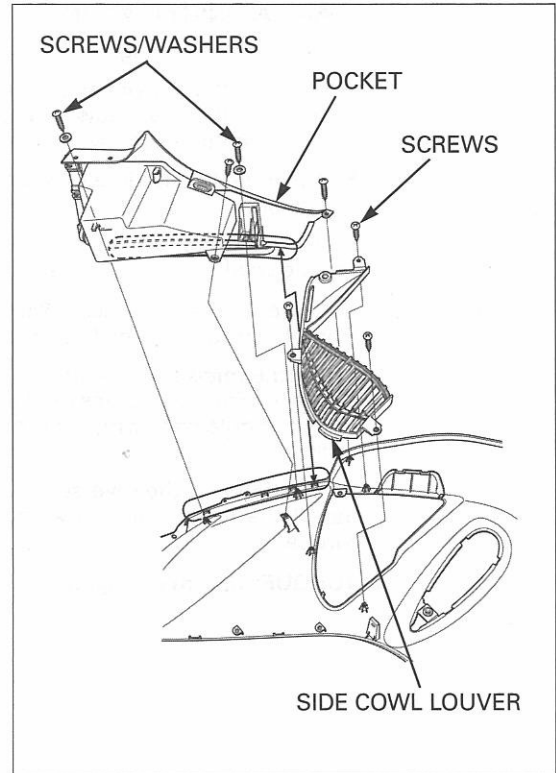


FRAME/BODY PANELS/EXHAUST SYSTEM

RIGHT MIDDLE COWL DISASSEMBLY/ASSEMBLY

Remove the screws and washers.
Remove the pocket and side cowl louver from the right middle cowl.

Assembly is in the reverse order of disassembly.

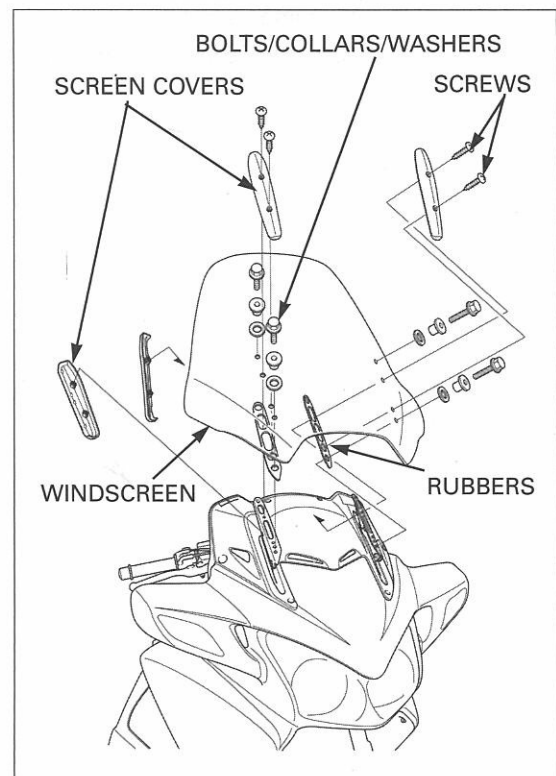


WINDSCREEN

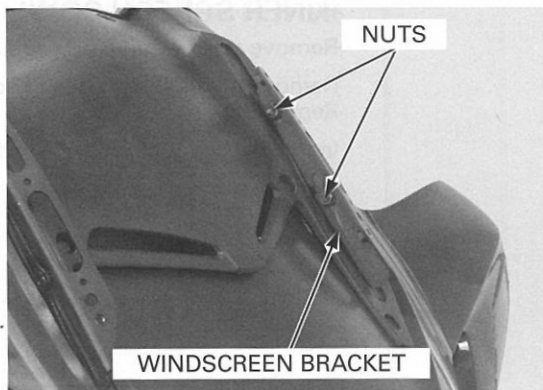
WINDSCREEN

REMOVAL

Remove the four screws and windscreen covers.
Remove the four bolts, collars and plastic washers.
Remove the windscreen and rubbers.



Remove the four nuts and windscreen brackets.

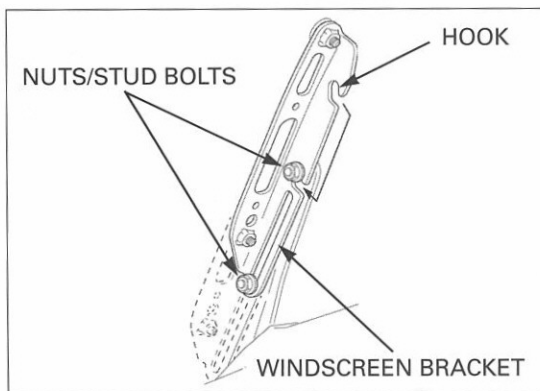


INSTALLATION

Install the windscreen bracket aligning its groove and hook with the stud bolts on the windscreen stay.

Tighten the nuts securely.

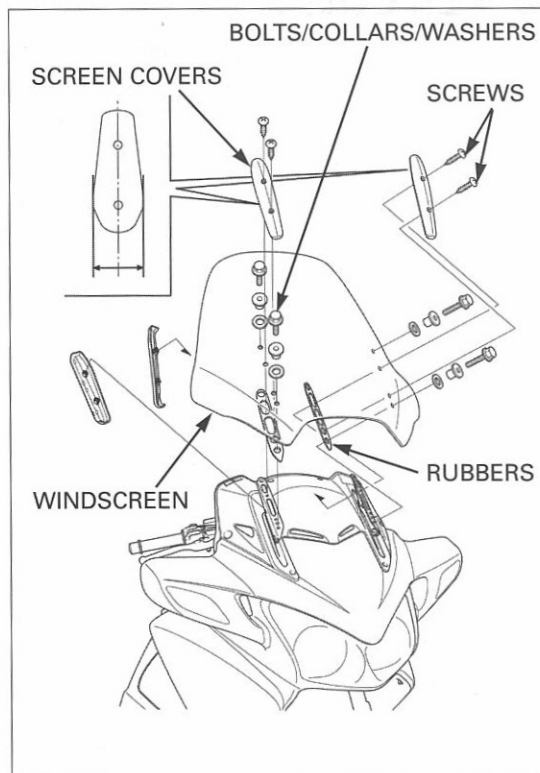
When the windscreen height is ready to be adjusted, exchange the hooks on windscreen bracket to the stud bolt.



Install the rubbers and windscreen being careful not to damage the windscreen.

Install the bolts, collars and plastic washers, then tighten the bolts.

Install the windscreen covers with its wide side facing down and tighten the screws securely.



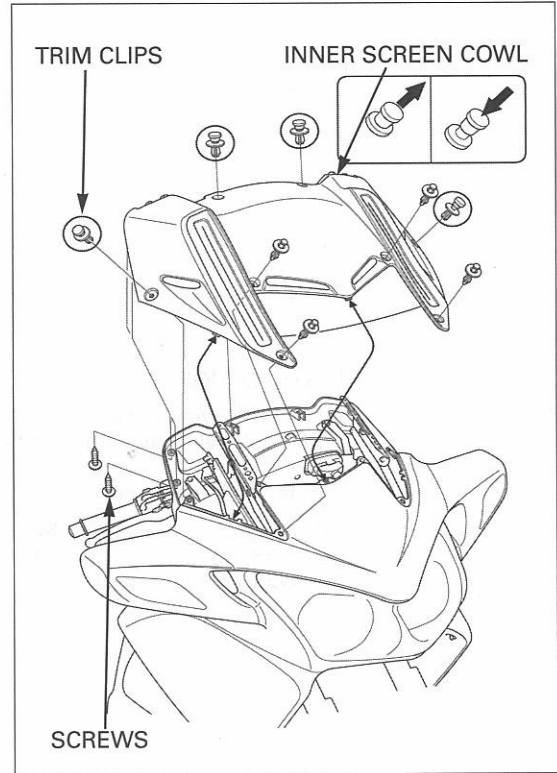
FRAME/BODY PANELS/EXHAUST SYSTEM

INNER SCREEN COWL

Remove the windscreen (page 2-14).

Remove the eight trim clips and four screws.
Remove the inner screen cowl.

Installation is in the reverse order of removal.



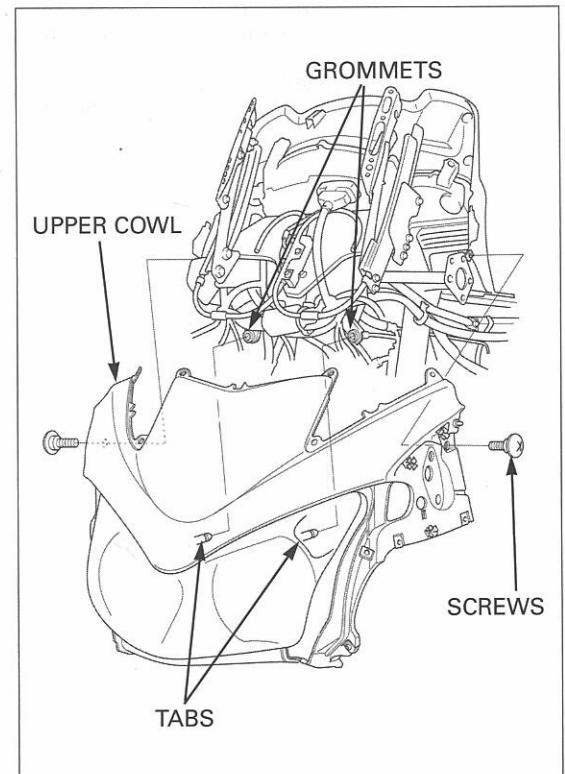
UPPER COWL

Remove the following:

- Inner screen cowl (page 2-16)
- Middle cowl (page 2-12)
- Rearview mirror (page 2-11)

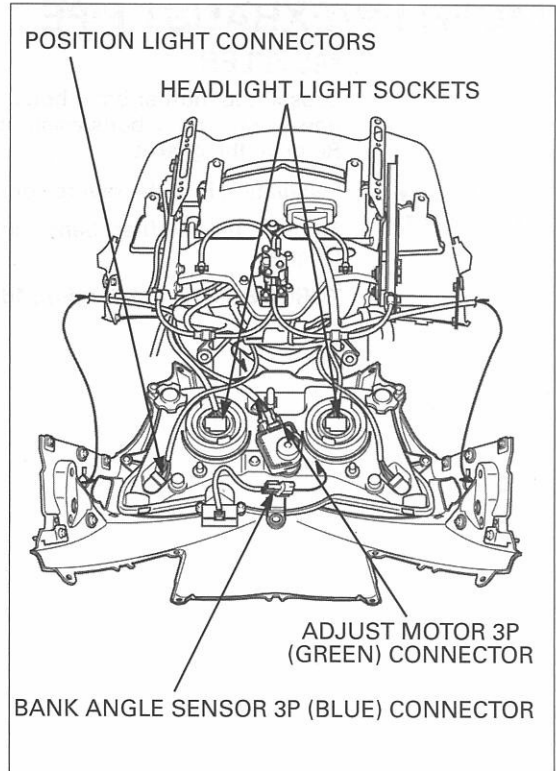
Remove the two screws.

Remove the tabs on the upper cowl from the grommets on the frame.



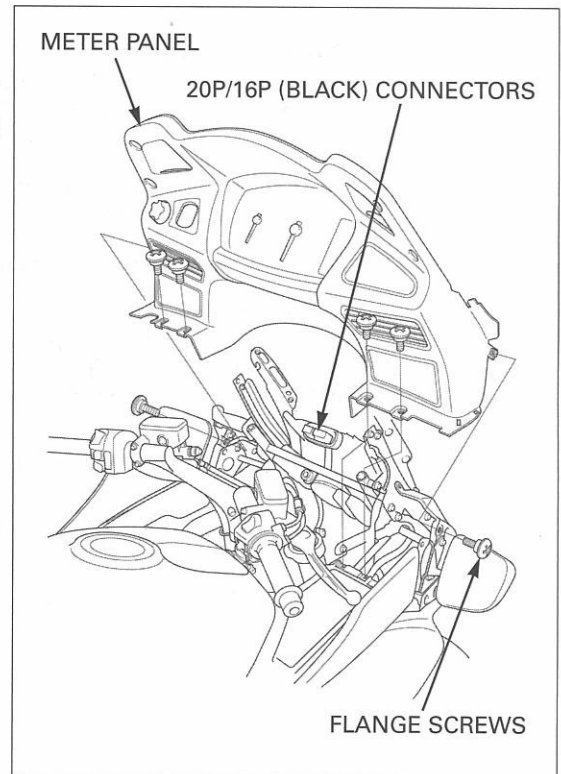
FRAME/BODY PANELS/EXHAUST SYSTEM

Disconnect the headlight 3P sockets and position light connectors.
Disconnect the headlight aiming adjust motor 3P (Green) connector.
Disconnect the bank angle sensor 3P (Blue) connector.
Remove the front turn signal wires from the holes on the upper cowl and remove the upper cowl.
Installation is in the reverse order of removal.



METER PANEL

Remove the inner screen cowl (page 2-16).
Remove the mirror cover (page 2-11).
Open the right and left pocket using the ignition key.
Remove the six flange screws.
Disconnect the combination meter 20P (Black) and 16P (Black) connectors.
Remove the meter panel.
Installation is in the reverse order of removal.



FRAME/BODY PANELS/EXHAUST SYSTEM

MUFFLER/EXHAUST PIPE

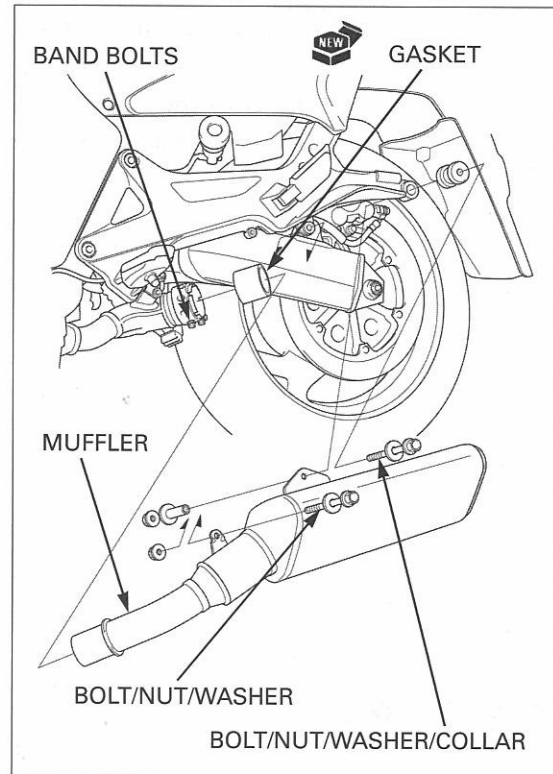
MUFFLER

Loosen the muffler band bolts.
Remove the nuts, bolts/washers, collar and muffler.
Remove the gasket.

Always replace the gasket with a new one.

Installation is in the reverse order of removal.
Tighten the muffler band bolts to the specified torque.

TORQUE: 22 N·m (2.2 kgf·m, 16 lbf·ft)



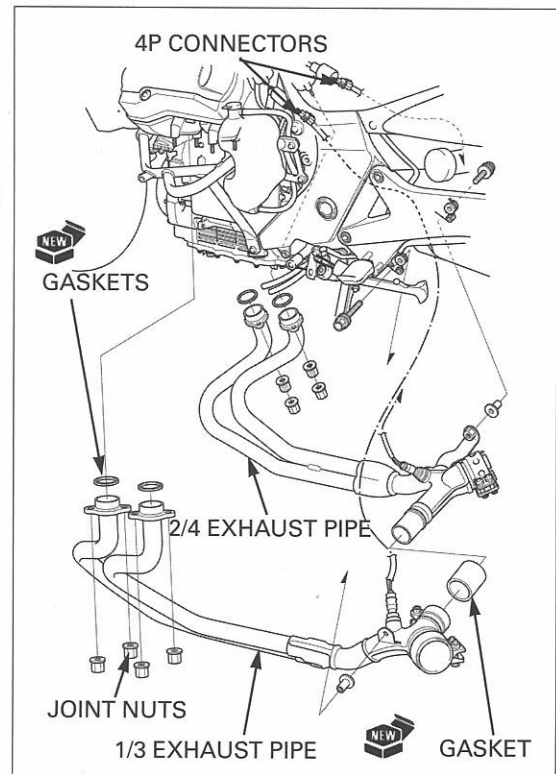
EXHAUST PIPE

Remove the right and left muffler (page 2-18).
Remove the side covers (page 2-6).

Disconnect the O₂ sensor 4P connectors.
Loosen the exhaust pipe band bolts.
Remove the #2/4 exhaust pipe joint nuts.
Remove the exhaust pipe bolt/washer and collar.
Remove the #2/4 exhaust pipe from the #1/3 exhaust pipe.
Remove the gaskets.
Remove the #1/3 exhaust pipe joint nuts.
Remove the exhaust pipe bolt/washer and collar.
Remove the #1/3 exhaust pipe.
Remove the gaskets.

Always replace the gaskets with new ones.

Installation is in the reverse order of removal.



LEFT STEP HOLDER

Remove the bolt, washer, nut, mounting bolts and seat rail lower mounting socket bolts. Remove the left step holder.

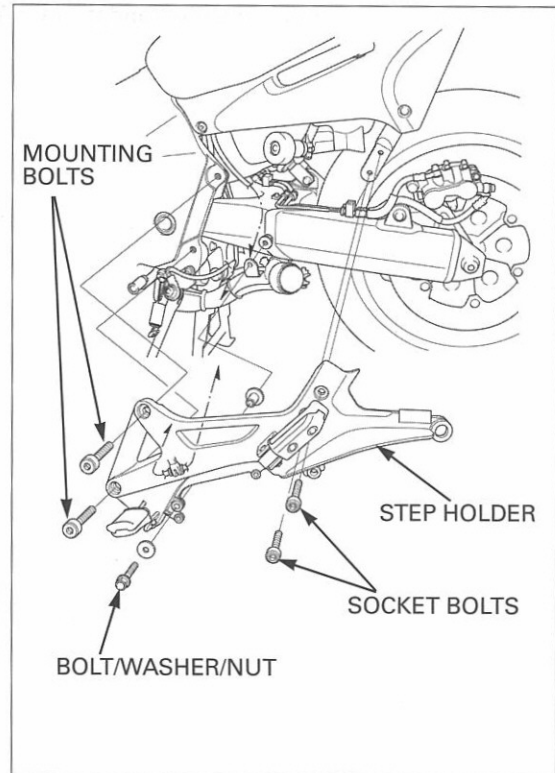
Installation is in the reverse order of removal.

Tighten the seat rail lower mounting socket bolts to the specified torque.

TORQUE: 42 N·m (4.3 kgf·m, 31 lbf·ft)

Tighten the step holder mounting bolts to the specified torque.

TORQUE: 64 N·m (6.5 kgf·m, 47 lbf·ft)

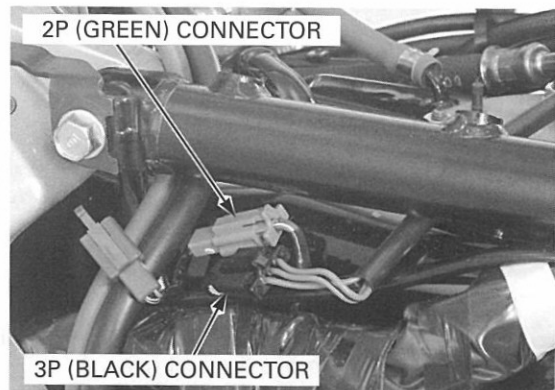


SEAT RAIL

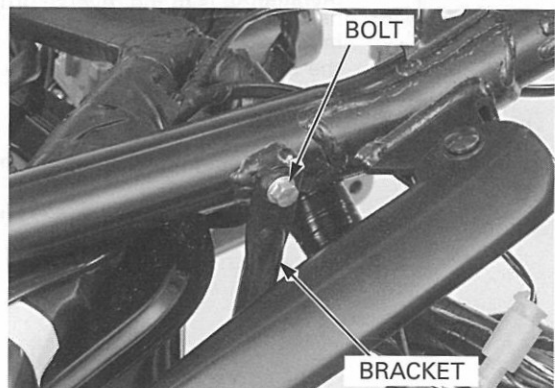
Remove the following:

- Seat (page 2-5)
- Rear fender B (page 2-9)
- Upper fuel tank (page 5-56)

Disconnect the side stand switch 2P (Green) and fuel pump 3P (Black) connectors.



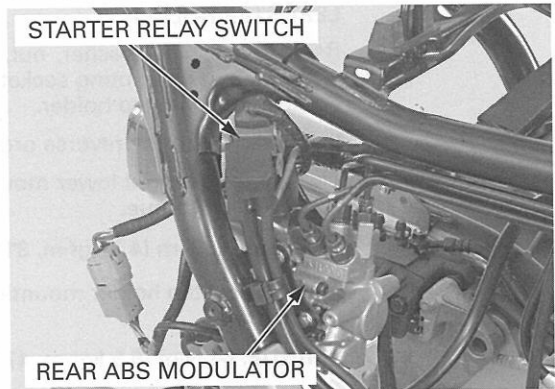
Remove the bolt and the shock absorber reservoir bracket.



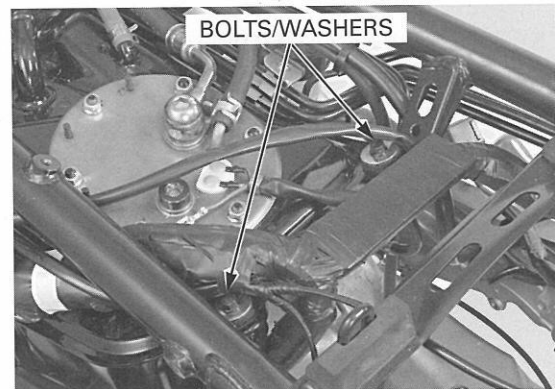
FRAME/BODY PANELS/EXHAUST SYSTEM

Remove the starter relay switch from the seat rail.

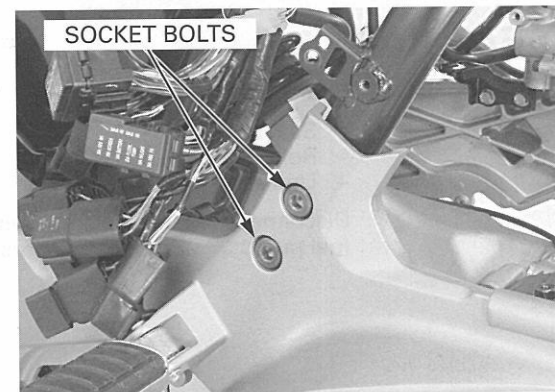
Deluxe type only: Remove the bolts and the rear ABS modulator.



Remove the lower fuel tank mounting bolts and washers.



Remove the seat rail lower mounting socket bolts.



Remove the mounting nuts, plates and bolts, then remove the seat rail.

Installation is in the reverse order of removal.

Install all the seat rail mounting bolts, then tighten the seat rail mounting bolts to the specified torque while lifting the seat rail end.

TORQUE:

Upper flange bolt:	39 N·m (4.0 kgf·m, 29 lbf·ft)
Lower mounting socket bolt:	42 N·m (4.3 kgf·m, 31 lbf·ft)

